



The wooden decking that will not turn grey, with the decor of your choice, for a design and cosy atmosphere



Design Decking & Woven Decking are both designed on the same principle: a finger joint thermo-treated pine board covered with an overlay that protects the wood on the one hand and dresses it on the other hand. In the case of the Design Decking, the overlay is made of printed polypropylene giving the appearance and texture of wood. In the case of Woven Decking, the overlay is a fiberglass reinforced PVC weave creating a warm living space outside in the extension of the interior.



Material recovery

The finger joint technique allows to recover small lengths of thermo-treated pine which would not have been usable any more. The overlay also makes the blade more resistant to punching.



Technical and aesthetic

Extending your indoor living space in a similar material suitable for outdoor use is very trendy. The Design Decking and Woven Decking range has been designed with this in mind, offering matching interior and exterior solutions. The technicality of the support is at the service of aesthetics. Swiss made.



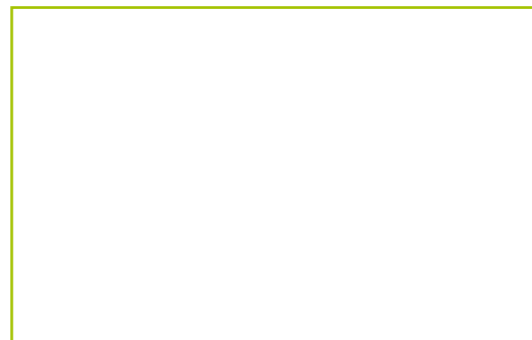
The LIME Design & Woven Decking terrace is an extension of your indoor living space.



T: +32.(0)2.880.99.23
F: +32.(0)2.880.99.24
info@lime-spirit.com
www.lime-spirit.com



Distributor



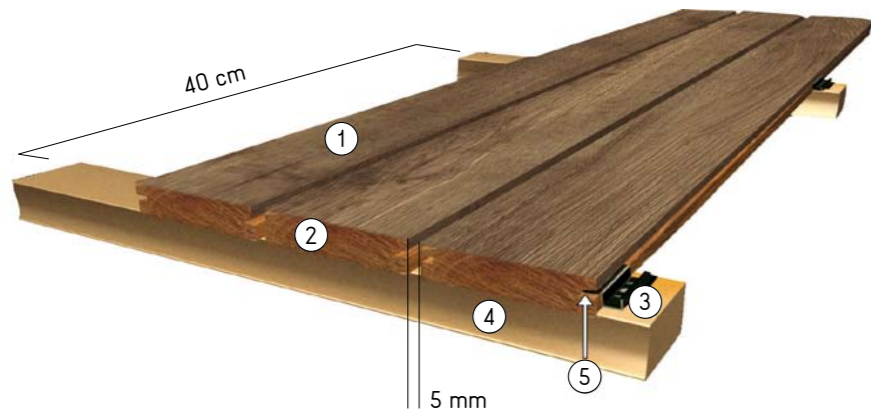
Take a look also at our Composite Decking, Fence & Cladding brochure

Design & Woven outdoor decking in the extension of the interior

DESIGN DECKING B-Fix Classic profile
Thermo-treated pine decking covered with wood decor in polypropylene

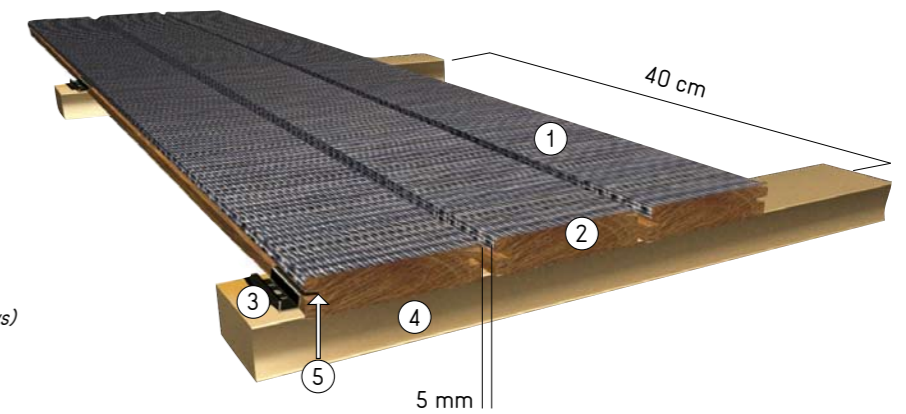
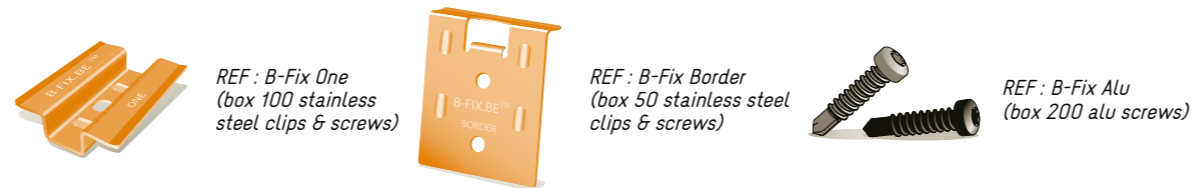


WOVEN DECKING B-Fix Classic profile
Thermo-treated pine decking covered with a woven PVC textile coating



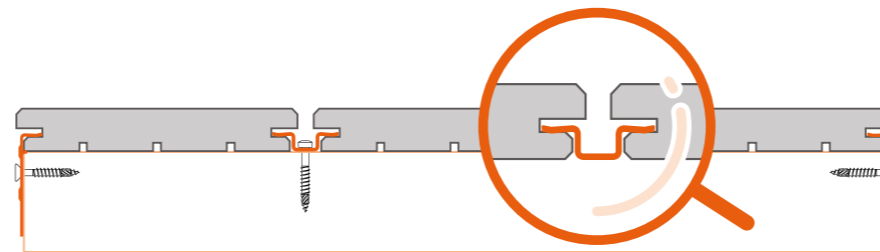
A wood or textile decoration for the outside

Compulsory installation with B-Fix® stainless steel clip



- ① Special decorative coating in polypropylene
- ② Thermo-treated pine board
- ③ B-Fix® clip and screw
- ④ Hard wood or aluminium joists
- ⑤ Special B-Fix® Classic profile

- ① Special decorative coating in woven PVC
- ② Thermo-treated pine board
- ③ B-Fix® clip and screw
- ④ Hard wood or aluminium joists
- ⑤ Special B-Fix® Classic profile



Board dimensions
22.5/98/2000 mm



Norwegian Dark Oak
REF: LFDD22.5/98
NDD1843



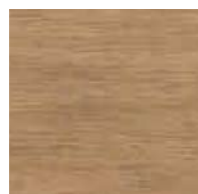
Norwegian Oak Limewashed
REF: LFDD22.5/98
NOL1844



Serbian Spruce Smoked
REF: LFDD22.5/98
SSS1940



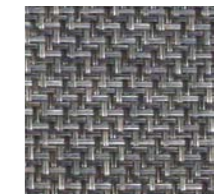
Serbian Spruce Limewashed
REF: LFDD22.5/98
SSL1941



American Red Spruce
REF: LFDD22.5/98
ARS1942



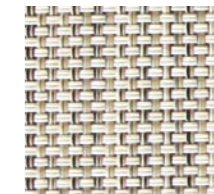
Board dimensions
22.5/98/2000 mm



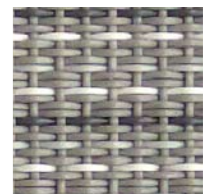
Reflection
REF: LFWDD22.5/98
RE4010



Tranquility
REF: LFWDD22.5/98
TR4006



Bold Beige
REF: LFWDD22.5/98
BB4008



Grey Stitch
REF: LFWDD22.5/98
GS4019



Spice
REF: LFWDD22.5/98
SP4007